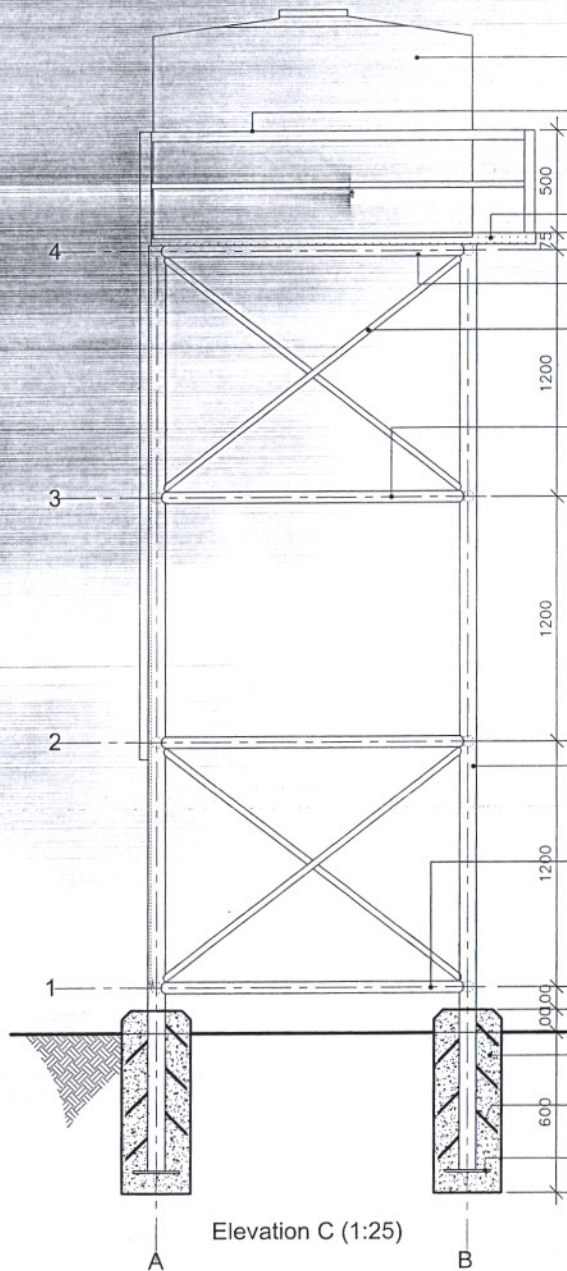


Item	Description	Unit	Qty	Rate	Amount
<b>REHABILITATION OF SANITARY FITTINGS AND INSTALLATION OF A NEW 3.000 LITRE WATER TANK</b>					
A	Carefully remove existing damaged seating W.C pans, supply and fix Vitreous China W.C pans complete with low level ceramic cisterns and any other connecting accessories.	No	3	480,000	1,440,000
B	Carefully dig out existing squatting WC pans, prepare floor, supply and fix squatting WC pans complete with cisterns and any other connecting accessories.	No	3	380,000	1,140,000
C	Carefully remove existing shower systems and supply and fix shower rizers complete with heavy duty shower roses, taps and any other connecting accessories.	No	6	120,000	720,000
D	Carefully remove existing wash hand basins, supply and fix new wash hand basins complete with plastic bottle traps and taps and any other connecting accessories.	No	8	180,000	1,440,000
E	Check existing water pipes, repair or replace as necessary and leave the whole water system in good working condition.	Item	1	1,000,000	1,000,000
F	Construct steel structural stand support for 3,000 litre plastic tank as per drawings complete with concrete foundation, steel supports and 3,000 litre plastic tank including all pipe work to existing new dormitory.	No	1	3,500,000	3,500,000
					<b>9,240,000</b>

*Shy*  
15/01/07



Elevation C (1:25)

A

B

Water Tank Stand Detail

3000 L Plastic tank as CrestTanks.  
 500mm protrusion of cat ladder frame above base of tank  
 50mmx3mm thick m.s c.h.s horizontal bracer welded to m.s vertical frame  
 50x50mm m.s angle frame welded to edges of r.h.s supports

25mm thick m.s c.h.s diagonal bracer welded to vertical frame and horizontal bracer. (One diagonal bracer per panel)

Position of 25mm Ø m.s c.h.s. 2No. horizontal diagonal bracers welded to 38/65mm frames.

25x50x3mm thick painted m.s r.h.s cat ladder frame at 300mm c/c spacing and welded onto 38mm Ø m.s horizontal bracers  
 20mm Ø m.s c.h.s ladder welded onto vertical m.s cat ladder frame

65mm Ø x 4mm thick m.s c.h.s frame at 1000mm c/c set in 300x300mm concrete base and finished with gloss paint (Peanut)

38mm Ø m.s horizontal bracers at 1000mm c/c  
 1No. 25mm Ø m.s c.h.s diagonal bracer at rear panel.

Concrete footing to protrude 100mm above ground level with top at 5° fall

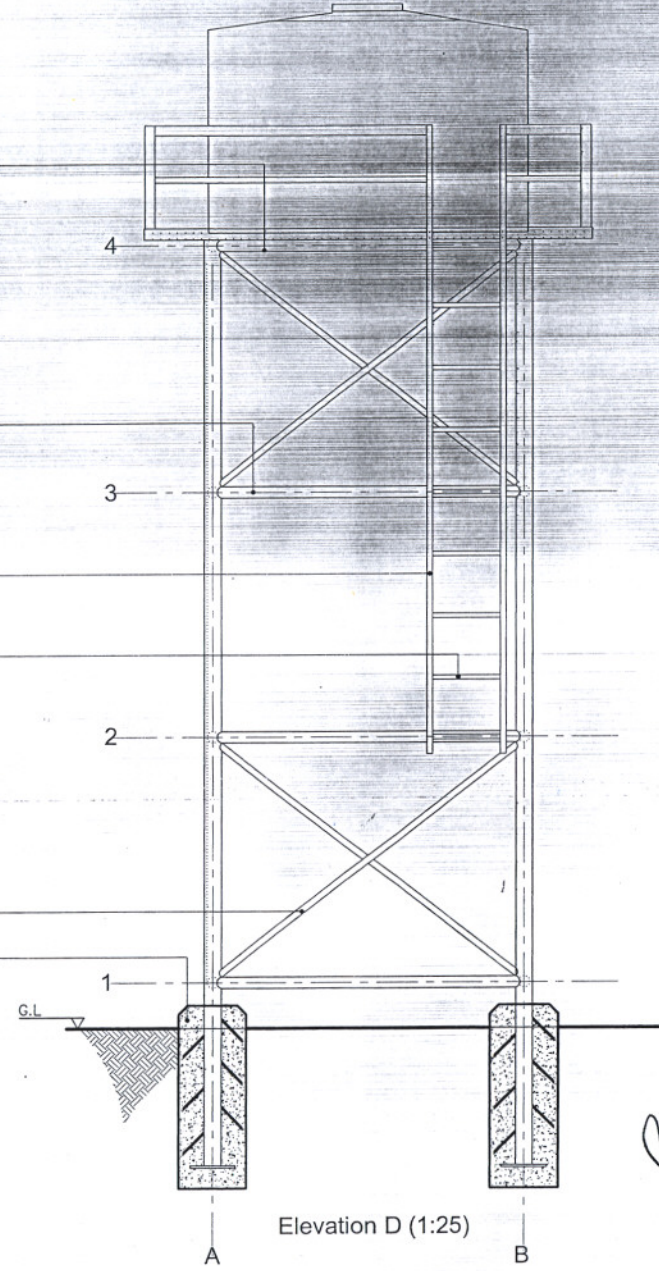
300x300x800mm deep grade 20 concrete base.

Weld slags for anchoring.

6mm thick m.s base plate welded to base of 65mm Ø steel frame.

**GENERAL NOTES**

All m.s sections to be finished with primer and two coats of gloss paint Peanut - 06 C 33 (Sadolin)

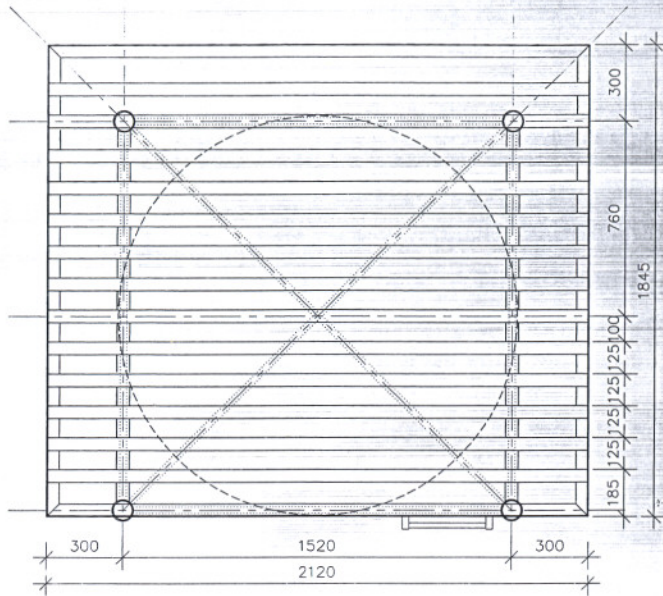


Elevation D (1:25)

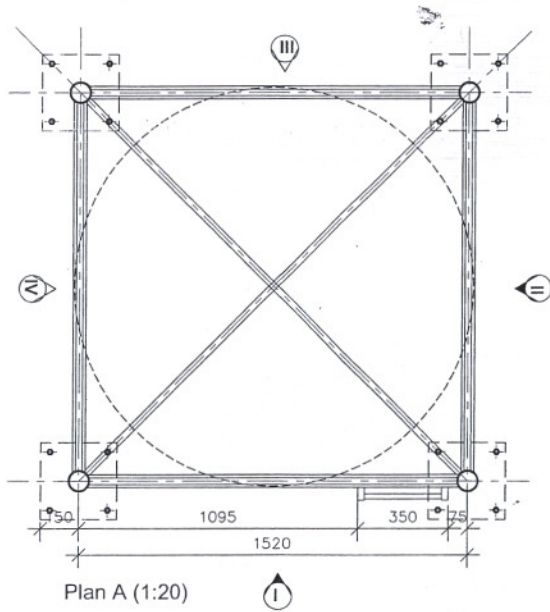
A

B

*Handwritten signature and date:*  
 15/01/07

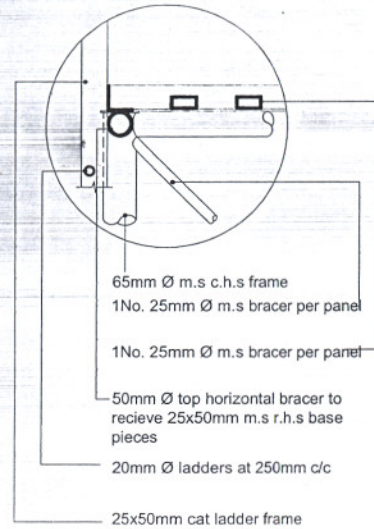


Plan B (1:20)

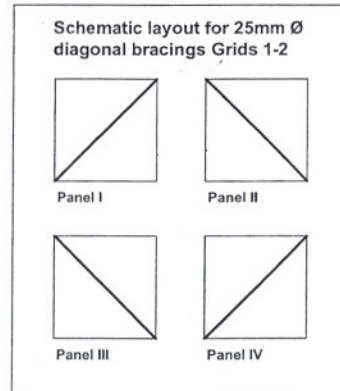


Plan A (1:20)

Water Tank Stand Detail



Detail: Section A (1:10)



*Handwritten signature*  
15/01/07



# KAMPALA TECHNICIANS CO-OPERATIVE SOCIETY LIMITED

Dealers in: All types of carpentry & joinery work all electrical & welding work, and building including renovation.

P.O.Box 8377 Tel: 077-432763 / 077-605974

E-mail: chembaj@yahoo.com.

Reg. No. 3366

M/s Kampala School For the Physically Handcapped  
DINING TABLES FAMAIC TOPS

INVOICE	
Date	15-01-07
No.	109

ITEM	DESCRIPTION	QTY	UNIT	RATE	AMOUNT
1.	To Make and Supply Dining Tables with Famaic TOPS Size 34X96X 30" h	10	No	380,000	3,800,000
2.	Make and Supply Dining Benches 96" Long	10	No	80,000	800,000
<div style="border: 1px solid black; border-radius: 50%; width: 300px; height: 150px; margin: 0 auto; display: flex; align-items: center; justify-content: center;"> <span style="font-size: 2em; font-weight: bold;">4,600,000/-</span> </div>					
E&OE	TOTAL				4,600,000/-

Accounts are due on demand

Signature



# KAMPALA TECHNICIANS CO-OPERATIVE SOCIETY LIMITED

Dealers in: All types of carpentry & joinery work all electrical & welding work, and building including renovation.

P.O.Box 8377 Tel: 077-432763 / 077-605974

E-mail: chembaj@yahoo.com.

Reg. No. 3366

M/s Kampala School For the Physically Handicapped  
FURNISHING PORTERLY AND EQUIPING CHILDREN DOMITORY.

## INVOICE

Date 15-01-07  
 No. 107

ITEM	DESCRIPTION	QTY	UNIT	RATE	AMOUNT
①	To Supply Materials and make in place Work top Porterly Benches along the Full length off three walls in Heavy duty timber.	18	Lm	182,000	3,276,000
②	To make and supply Seat benches in timber with backrest all along work tops - Discount Shs 14,000	18	Lm	86,000	1,534,000
③	Make and supply Domitory beds				
	(a) Double decks	10	No	180,000	1,800,000
	(b) Single beds -	25	No	90,000	2,250,000
④	Porters Wheel	1	No	500,000	500,000
⑤	Make supply wall shelves -	6	Lm	90,000	540,000
⑥	Make supply Centre table	1	No	650,000	650,000
⑦	Make supply Teachers desk & Chair	1	set	450,000	450,000
	<u>11,000,000</u>				
E&OE	TOTAL				<u>11,000,000</u>

Accounts are due on demand

Signature.....



# SENGA SEW CO.

For All your Sewing Machines and Spare requirements  
Plot 2/1 Burton Street

P. O. Box 24901  
Tel: 041 235832 / 077 411002  
Kampala (U)  
E-mail: sengasewco@yahoo.com

M/S N NABAGEREKA DEVELOPMENT  
FOUNDATION

PROFORMA INVOICE	
Date:	17/01/07
No.	655

Qty	Particulars	Rate	Shs
1	SINGER ZIGZAG EMBROIDERY INDUSTRIAL MACHINE MODEL 201 33/43 - ELECTRIC	1,350,000	1,350,000
	- MACHINE CARRIES GUARANTEE OF 1 YEAR		
	- PROVIDED WITH ACCESSORIES		
	- QUOTATION VALID FOR 30 DAYS		
	<b>NON NEGOTIABLE A/C PAYEE ONLY</b>		
	1,350,000/-		
E & O.E.		<b>TOTAL</b>	1,350,000

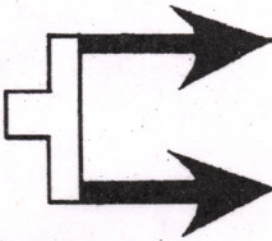
All accounts are due on demand

Signature: Nansaba





# Sonic



## FURNITURE

## CONSTRUCTION AND TECHNICAL SERVICES

SAINT AIBAN DEROCHE - 38300-93 BOURGOIN, FRANCES

WORKSHOP: Nalukolongo Industrial Area, Kabowa, Simbwa Zone, 800m of Ndeeba Trading Centre DINIYA JUNCTION

NO. AB

P.O. Box 483/554

Tel: 270145

Mob: 077 - 415141

SHOW ROOM

Mob: 077 - 656040

KAMPALA - UGANDA

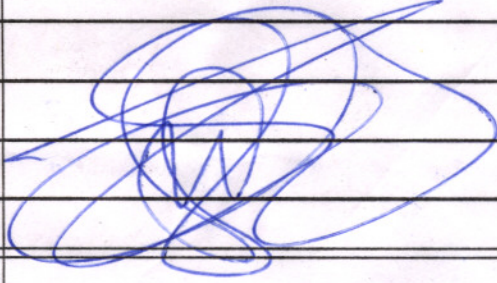
Our Ref:

### PRO-INVOICE

Your Ref:

Date: 8/ May / 07

TO: NMBABIRUKA DEVELOPMENT FOUNDATION

Qty	Particulars	Rate	Shs.
10	Double Bentlens Red's Size: 36x72, with MESHING WITH MULTI REINFORCEMENT.	200,000	2,000,000
	Two millions only		
			
10	<b>TOTAL</b>		2,000,000

Accounts are due on demand

Signature:.....





STRATAGEM LTD  
P.O. BOX 23051 KAMPALA

QUOTATION FOR DRILLING OF 1 BOREHOLE  
IN MUKONO DISTRICT  
(Average 60m depth)

Client THE NABAGEREKA DEVELOPMENT FOUNDATION  
C/O SYLVIA N. NAITALA 0772 504469

ITEM	DESCRIPTION	UNIT	QTY	RATE Ushs	AMOUNT Ushs
1.0	<b>PRELIMINARIES AND GENERAL</b>				
1.1	Mobilisation of personnel, equipment and materials	Sum	LS		1,600,000
1.2	Hydrogeological Survey (Siting)		LS		1,500,000
1.2	Preparation and Submission of Completion Report	Sum	LS		100,000
	<b>Sub Total</b>				<b>3,200,000</b>
2.0	<b>BILL NO 2. BOREHOLE CONSTRUCTION</b>				
2.1	Setting up and dismantling at every site	No	1	800,000	800,000
2.2	Shifting between sites	Km	0	20,000	0
2.3	Drilling in overburden at 105/8" diameter including installation and removal of 8" temporary casing both using DTH/Mud rotary	M	25	110,000	2,750,000
2.4	Drilling in consolidated formation (fractured zone) at 7-8" diameter	M	10	100,000	1,000,000
2.5	Drilling in hard rock at 4.5" diameter	M	25	90,000	2,250,000
2.6	Sampling and storing of drill cuttings at 3m interval or as instructed by the Engineer	No	1	50,000	50,000
2.7	Supply and Installation of uPVC casing (5"ND) including centralisers and bottom cap	M	25	50,000	1,250,000
2.8	Supply and Installation of uPVC screens (5"ND)	M	10	65,000	650,000
2.9	Supply and Installation of cement grouting	LS	0	100,000	0
2.10	Supply and Installation of gravel pack	50 kg bag	25	30,000	750,000
2.11	Installation of inert backfill	No	1	80,000	80,000
2.12	Casting of sanitary seal	No	1	120,000	120,000
2.13	Well Development	No	1	230,000	230,000
2.14	Test pumping				
	Movement between sites	km	0	5,000	0
	Test pumping installation and removal	No	1	200,000	200,000
	Pumping time	Hrs	3	50,000	150,000
	Recovery time	Hrs	1	30,000	30,000
2.15	Water sampling	No	1	5,000	5,000
	Water Quality analysis	No	1	150,000	150,000
2.16	Well capping	No	1	100,000	100,000
2.17	Clearing site	No	1	85,000	85,000
2.18	Standing time	Hr	0	200,000	0
	<b>Sub Total</b>				<b>10,650,000</b>

15/1/07



**BILL No. 3: HAND PUMP PLATFORM CASTING AND PUMP INSTALLATION**

Item	Description	Unit	Qty	Rate (Ushs)	Amount
3.1.1	Construction of U2 hand pump super structure including installation of pedestal, water tank, pump head and platform (concrete mix 1:2:4), drain channel and soak-away pit filled with hard core	No	1	800,000	800,000
3.2.1	Supply and installation of riser pipes	m	30	20,000	600,000
3.3	Supply and installation of connecting rods	m	30	5,000	150,000
3.4.1	Supply and installation of U2 cylinder	No	1	100,000	100,000
<b>Sub Total</b>					<b>1,650,000</b>

<b>SUMMARY</b>					
1.00	Preliminaries and General				3,200,000
2.00	Borehole Construction				10,650,000
3.00	Hand pump Platform Casting and installation				1,650,000
<b>Grand Total</b>					<b>15,500,000</b>

*Atorah*  
10/01/2007





# M.K. PUBLISHERS (U) LTD.

CAPITAL AUTO BUILDING  
 PLOT 557, KAMPALA-ENTEBBE ROAD  
 P.O.BOX 12385, KAMPALA  
 TEL: 041-271615/031-262584/5  
 FAX: 041-271615/031-262584/5

## Quotation

0015742

Date 15/01/07  
 Page 2  
 Document No QU500298

### SETTING A NEW TREND IN SCHOOL BOOK PUBLISHING

Dr to:

Kabonge Jolly 0772415372

Deliver to  
 ST PONSIANO NGONDWE  
 KATOOGO

Account	Your Reference	Tax Exempt	Tax Reference	Sales Code	Expiry			
1045		N		01	15/01/07	Exclusive		
Code	Description	Quantity	Unit	Unit Price	Disc%	Tax	Nett Price	
PEN4P	MK PRIMARY ENGLISH PBK 4	14.00	Nos	12,000.00			168,000.00	
PEN5P	MK Primary English PBK 5	14.00	Pc	12,000.00			168,000.00	
PEN6P	MK Primary English PBK 6	14.00	Pc	12,000.00			168,000.00	
PEN7P	MK Primary English PBK 7	14.00	Pc	13,200.00			184,800.00	
PEN2T	MK PRIMARY ENGLISH TRS BK 2	1.00	Nos	9,000.00			9,000.00	
PEN3T	MK PRIMARY ENGLISH TRS BK 3	1.00	Nos	9,000.00			9,000.00	
PEN4T	MK PRIMARY ENGLISH TRS BK 4	1.00	Nos	9,000.00			9,000.00	
PEN5T	MK Primary English Trs Bk 5	1.00	Nos	12,000.00			12,000.00	
PEN6T	MK Primary English Trs Bk 6	1.00	Nos	12,000.00			12,000.00	
PEN7T	MK Primary English Trs Bk 7	1.00	Pc	12,000.00			12,000.00	
PSC2P	MK INTEGRATED PRIMARY SCIENCE PBK 2	14.00	Nos	9,000.00			126,000.00	
PSC4P	MK INTEGRATED PRIMARY SCIENCE PBK 4	14.00	Nos	11,000.00			154,000.00	
PSC5P	MK INTEGRATED PRIMARY SCIENCE PBK 5	14.00	Nos	12,000.00			168,000.00	
PSC6P	MK INTEGRATED PRIMARY SCIENCE PBK 6	14.00	Nos	12,000.00			168,000.00	
PSC7P	MK INTEGRATED PRIMARY SCIENCE PBK 7	14.00	Nos	13,200.00			184,800.00	
PSC1T	MK INTEGRATED PRIMARY SCIENCE TRS BK 1	1.00	Nos	9,000.00			9,000.00	
PSC3T	MK INTEGRATED PRIMARY SCIENCE TRS BK 3	1.00	Nos	9,000.00			9,000.00	
PSC4T	MK INTEGRATED PRIMARY SCIENCE TRS BK 4	1.00	Nos	9,000.00			9,000.00	
PSC5T	MK Integrated Pr. Science Trs BK 5	1.00	Pc	13,200.00			13,200.00	
PSC6T	MK Integrated Pr Science Trs BK 6	1.00	Pc	13,200.00			13,200.00	
PSC7T	MK Integrated Primary Science TRs BK 7	1.00	Nos	13,200.00			13,200.00	

CASH ON DELIVERY

Sub Total 3,971,600.00

Discount @ 0.00% 0.00

Received in good order

Amount Excl Tax 3,971,600.00

Signed \_\_\_\_\_ Date \_\_\_\_\_

Tax 0.00

Total 3,971,600.00



# M.K. PUBLISHERS (U) LTD.

CAPITAL AUTO BUILDING  
 PLOT 557, KAMPALA-ENTEBBE ROAD  
 P.O.BOX 12385, KAMPALA  
 TEL: 041-271615/031-262584/5  
 FAX: 041-271615/031-262584/5

## Quotation

0015741

Date 15/01/07  
 Page 1  
 Document No QU500298

SETTING A NEW TREND IN SCHOOL BOOK PUBLISHING

Dr to:

Kabonge Jolly 0772415372

Deliver to  
 ST PONSIANO NGONDWE  
 KATOOGO

Account	Your Reference	Tax Exempt	Tax Reference	Sales Code	Expiry			
1045		N		01	15/01/07	Exclusive		
Code	Description	Quantity	Unit	Unit Price	Disc%	Tax	Nett Price	
PMT2T	MK PRIMARY MATHS TRS BK 2	1.00	Nos	9,000.00			9,000.00	
PMT3T	MK PRIMARY MATHS TRS BK 3	1.00	Nos	9,000.00			9,000.00	
PMT4T	MK PRIMARY MATHS TRS BK 4	1.00	Nos	9,000.00			9,000.00	
PMT5T	MK PRIMARY MATHS TRS BK 5	1.00	Nos	13,200.00			13,200.00	
PMT6T	MK PRIMARY MATHS TRS BK 6	1.00	Nos	13,200.00			13,200.00	
PMT7T	MK PRIMARY MATHS TRS BK 7	1.00	Nos	13,200.00			13,200.00	
PMT2P	MK PRIMARY MATHS PBK 2	14.00	Nos	10,000.00			140,000.00	
PMT3P	MK PRIMARY MATHS PBK 3	14.00	Nos	10,000.00			140,000.00	
PMT4P	MK PRIMARY MATHS PBK 4	14.00	Nos	11,000.00			154,000.00	
PMT5P	MK PRIMARY MATHS PBK 5	14.00	Nos	12,000.00			168,000.00	
PMT6P	MK PRIMARY MATHS PBK 6	14.00	Nos	12,100.00			169,400.00	
PMT7P	MK PRIMARY MATHS PBK 7	14.00	Nos	13,200.00			184,800.00	
PSS1P	MK STANDARD SOCIAL STUDIES PBK 1	14.00	Nos	8,000.00			112,000.00	
PSS2P	MK STANDARD SOCIAL STUDIES PBK 2	14.00	Nos	9,000.00			126,000.00	
PSS3P	MK STANDARD SOCIAL STUDIES PBK 3	14.00	Nos	9,000.00			126,000.00	
PSS4P	MK STANDARD SOCIAL STUDIES PBK 4	14.00	Nos	10,000.00			140,000.00	
PSS5P	MK STANDARD SOCIAL STUDIES PBK 5	14.00	Nos	11,000.00			154,000.00	
PSS6P	MK STANDARD SOCIAL STUDIES PBK 6	14.00	Nos	12,000.00			168,000.00	
PSS7P	MK STANDARD SOCIAL STUDIES PBK 7	14.00	Nos	13,200.00			184,800.00	
PSS2T	MK STANDARD SOCIAL STUDIES TRS BK 2	1.00	Nos	9,000.00			9,000.00	
PSS3T	MK STANDARD SOCIAL STUDIES TRS BK 3	1.00	Nos	9,000.00			9,000.00	
PSS4T	MK STANDARD SOCIAL STUDIES TRS BK 4	1.00	Nos	9,000.00			9,000.00	
PSS5T	MK STANDARD SOCIAL STUDIES TRS BK 5	1.00	Nos	10,000.00			10,000.00	
PSS6T	MK STANDARD SOCIAL STUDIES TRS BK 6	1.00	Nos	10,000.00			10,000.00	
PSS7T	SST STANDARD SOCIAL STUDIES TRS BK 7	1.00	Nos	10,000.00			10,000.00	
PEN2P	MK PRIMARY ENGLISH PBK 2	14.00	Nos	9,000.00			126,000.00	
PEN3P	MK PRIMARY ENGLISH PBK 3	14.00	Nos	9,700.00			135,800.00	

CASH ON DELIVERY

Sub Total

Discount @ 0.00%

Received in good order

Amount Excl Tax

Signed \_\_\_\_\_ Date \_\_\_\_\_

Tax

Total

G/Fwd



# M.K. PUBLISHERS (U) LTD.

CAPITAL AUTO BUILDING  
 PLOT 557, KAMPALA-ENTEBBE ROAD  
 P.O.BOX 12385, KAMPALA  
 TEL: 041-271615/031-262584/5  
 FAX: 041-271615/031-262584/5

## Quotation

0015742

Date 15/01/07  
 Page 2  
 Document No QU500298

### SETTING A NEW TREND IN SCHOOL BOOK PUBLISHING

Dr to:

Kabonge Jolly 0772415372

Deliver to  
 ST PONSIANO NGONDWE  
 KATOOGO

Account	Your Reference	Tax Exempt	Tax Reference	Sales Code	Expiry			
1045		N		01	15/01/07	Exclusive		
Code	Description	Quantity	Unit	Unit Price	Disc%	Tax	Nett Price	
PEN4P	MK PRIMARY ENGLISH PBK 4	14.00	Nos	12,000.00			168,000.00	
PEN5P	MK Primary English PBK 5	14.00	Pc	12,000.00			168,000.00	
PEN6P	MK Primary English PBK 6	14.00	Pc	12,000.00			168,000.00	
PEN7P	MK Primary English PBK 7	14.00	Pc	13,200.00			184,800.00	
PEN2T	MK PRIMARY ENGLISH TRS BK 2	1.00	Nos	9,000.00			9,000.00	
PEN3T	MK PRIMARY ENGLISH TRS BK 3	1.00	Nos	9,000.00			9,000.00	
PEN4T	MK PRIMARY ENGLISH TRS BK 4	1.00	Nos	9,000.00			9,000.00	
PEN5T	MK Primary English Trs Bk 5	1.00	Nos	12,000.00			12,000.00	
PEN6T	MK Primary English Trs Bk 6	1.00	Nos	12,000.00			12,000.00	
PEN7T	MK Primary English Trs Bk 7	1.00	Pc	12,000.00			12,000.00	
PSC2P	MK INTEGRATED PRIMARY SCIENCE PBK 2	14.00	Nos	9,000.00			126,000.00	
PSC4P	MK INTEGRATED PRIMARY SCIENCE PBK 4	14.00	Nos	11,000.00			154,000.00	
PSC5P	MK INTEGRATED PRIMARY SCIENCE PBK 5	14.00	Nos	12,000.00			168,000.00	
PSC6P	MK INTEGRATED PRIMARY SCIENCE PBK 6	14.00	Nos	12,000.00			168,000.00	
PSC7P	MK INTEGRATED PRIMARY SCIENCE PBK 7	14.00	Nos	13,200.00			184,800.00	
PSC1T	MK INTEGRATED PRIMARY SCIENCE TRS BK 1	1.00	Nos	9,000.00			9,000.00	
PSC3T	MK INTEGRATED PRIMARY SCIENCE TRS BK 3	1.00	Nos	9,000.00			9,000.00	
PSC4T	MK INTEGRATED PRIMARY SCIENCE TRS BK 4	1.00	Nos	9,000.00			9,000.00	
PSC5T	MK Integrated Pr. Science Trs BK 5	1.00	Pc	13,200.00			13,200.00	
PSC6T	MK Integrated Pr Science Trs BK 6	1.00	Pc	13,200.00			13,200.00	
PSC7T	MK Integrated Primary Science TRs BK 7	1.00	Nos	13,200.00			13,200.00	

CASHON DELIVERY

Sub Total 3,971,600.00

Discount @ 0.00% 0.00

Received in good order

Amount Excl Tax 3,971,600.00

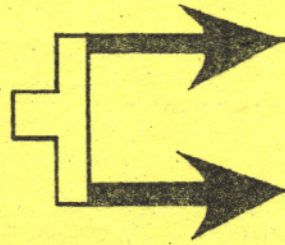
Signed \_\_\_\_\_ Date \_\_\_\_\_

Tax 0.00

Total 3,971,600.00



# Sonic



## FURNITURE

## CONSTRUCTION AND TECHNICAL SERVICES

SAINT AIBAN DEROCHE - 38300-93 BOURGOIN, FRANCES

WORKSHOP: Nalukolongo Industrial Area, Kabowa, Simbwa Zone, 800m of Ndeeba Trading Centre DINIYA JUNCTION

NO. AB

Our Ref:

Your Ref:

### PRO-INVOICE

P.O. Box 483/554

Tel: 270145

Mob: 077 - 415141

SHOW ROOM

Mob: 077 - 656040

KAMPALA - UGANDA

Date: 8 / JAN / 2007

TO: NABAGOROKA DEVELOPMENT FOUNDATION

Qty	Particulars	Rate	Shs.
90	TWIN SEAT frames with with wooden top table & Form size - 1200x300x750	50000	4,500,000
	Four million five hundred thousand only		
90	TOTAL		4,500,000

Accounts are due on demand

Signature:.....

# TOWNLIN PLUMBING

Tel: 236322

Dealers in: Hard ware Supplies, Plumbing  
and Building Materials

P.O Box 11187  
Kampala

M/s. SCHOOL FOR THE PHYSICALLY  
HANDICAPPED - MENGO.

## PRO-FORMA / INVOICE

No. **3165**

Date 31/01/08

Qty.	Particulars	Rate	Amount
3	W.C Pans Complete with Cisterns	475,000	1,425,000
3	W.C Squatting Pans with Cisterns	375,000	1,125,000
6	Shower rizers with taps & Showerrose	120,000	720,000
20	Galvanised water pipes 1"	50,000	1,000,000
1	Water tank 3000 Ltrs.	900,000	900,000
1	" " Stand	3,520,000	3,520,000
10	Galvanised pipe 3/4	45,000	450,000
<p><u>Shs 9,140,000/-</u></p>			
<b>E &amp; O.E</b>		<b>TOTAL</b>	<b>9,140,000</b>

All accounts are due on demand.

Signature.....

For: TOWNLIN PLUMBING